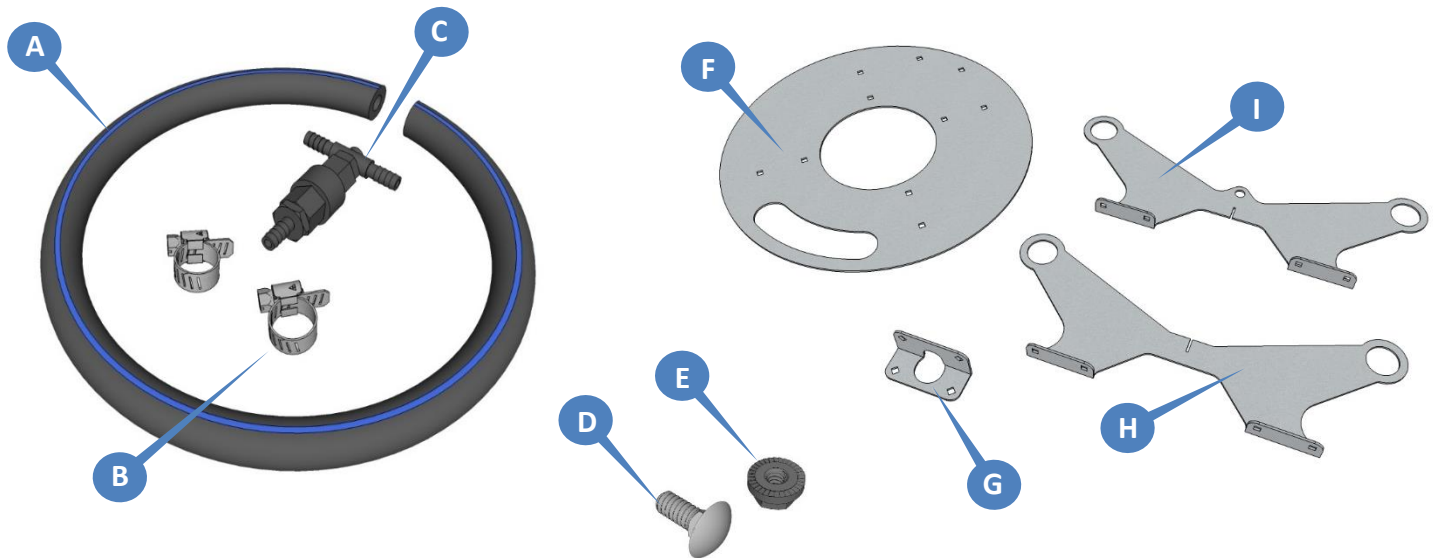


# Bubble Pro High-Efficiency O2 Diffuser

## Assembly Instructions REV1

Package Contents		
A	1	Aeration Bubble Tube
B	2	Hose Clamp
C	1	Check Valve Assembly
D	10	10-24 x 1/2" Carriage Bolt
E	10	10-24 Serrated Flange Nut
F	1	Base
G	1	Hose Strain Relief Clamp
H	1	Lower Support Arm
I	1	Upper Support Arm



1. Position the Upper & Lower Support Arms as shown in Figure 1 to the right.
2. Slide the Arms together so that the alignment slots are fully engaged.
3. Set the assembled Arms onto the Base and align the mounting holes.
4. Insert 8 Carriage Bolts from the bottom of the base upward through the bent feet.
5. Install a Serrated-Flange Nut onto all 8 Bolts.
6. Tighten all hardware securely.

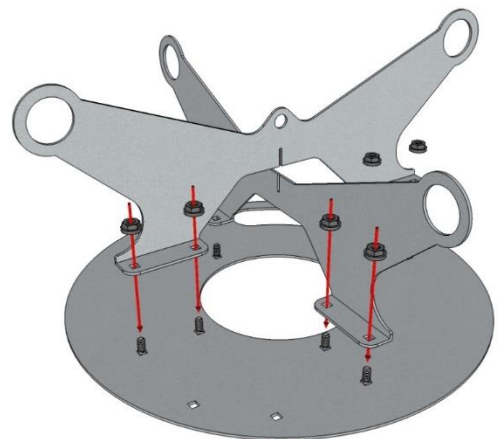


Figure 1

7. Starting at the location above the handle, feed the Bubble Tubing through the 4 support rings. The blue stripe should be on the bottom side and the ends of the tubing should meet in the center of the starting space above the handle location.
8. Slide a Hose Clamp onto each end of the Bubble Tube as shown in Figure 3. Install with the bolt on the underside of the Bubble Tube and facing outward.  
Note: The check valve assembly is shipped with a 3/8" barb fitting installed. If you need to change it to 1/2", remove the 3/8" barb and install the provided 1/2" barb fitting.
9. Insert the barbed Tee fitting into the ends of the Bubble Tubing. You will likely need to grip both ends of the tubing and "wiggle" it onto the Tee. Make sure that the Bubble Tubing is fully seated onto both sides of the Tee and the Tee is pointed slightly downward and toward the center of the base.
10. Tighten the hose clamps securely.
11. The DB36-B will accept a 3/8" or 1/2" airline. Position the Strain Relief Clamp so that the appropriate size notch is facing up.
12. Slide the airline through the Clamp and underneath the Support Arm Assembly.
13. Install a hose clamp onto the end of the airline
14. Connect the airline to the barb fitting
15. Tighten the hose clamp.
16. Install the 2 remaining Carriage Bolts and Nuts through the Strain Relief Clamp and tighten securely.

Note: The 1/4" hole located at the top-center of the Upper Support arm is for attaching a marker/float, if installed.

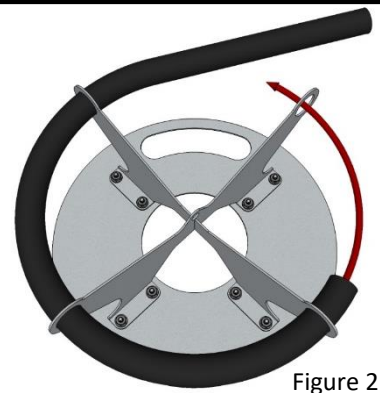


Figure 2

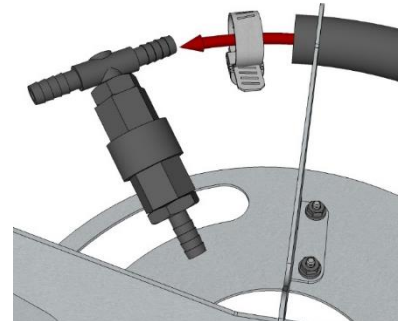


Figure 3

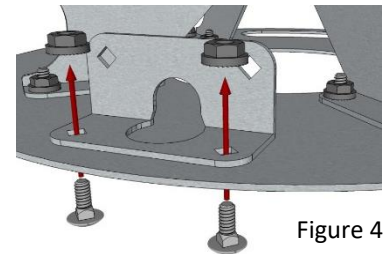


Figure 4



Completed Diffuser Assembly

If you have any questions, comments or need help, Please Contact Us.

**U.S. Solar Mounts Corp.**  
3498 Acorn Ave.  
Sparta, WI 54656  
(608)272-3999  
info@ussolarmounts.us